

Sunray Saunas

Burlington Infrared Sauna

Aged Canadian Hemlock Wood

Combines strength and durability with natural wood appeal.

Built-In Ergonomic Backrest

Strategically positioned for relaxation and comfort.

Halogen Heaters

Designed to quickly get the Sauna to maximum temperature.



Pitched Shingled Roof

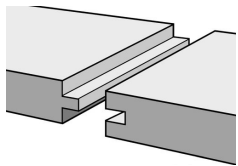
Suitable for outdoor use.

Ventilation System Built in ceiling ventilation for advanced air flow.

Cabin Features

Solid wood floor and heavy duty hinged door with tempered glass.

Tongue and Groove Assembly



Easy to assemble and operate. Takes just one hour for assembly.

Integrated Key Pad



Integrated Digital keypad controls temperature, and heat time

Premium Bluetooth System



Bluetooth makes it easy to connect and listen to your devices.

Warranty

Industry leading full 7 year structural warranty. 1 year parts warranty. Lifetime support.

SPECIFICATIONS

Construction

Canadian Hemlock Cabin
10mm Tempered Glass
Tongue & Groove Construction
Weight: 301 lbs

Exterior Cabin

Width: 47"
Depth: 40"
Height: 87"

Interior Cabin

Width: 44"
Depth: 38"
Height: 68"

Roof Dimensions

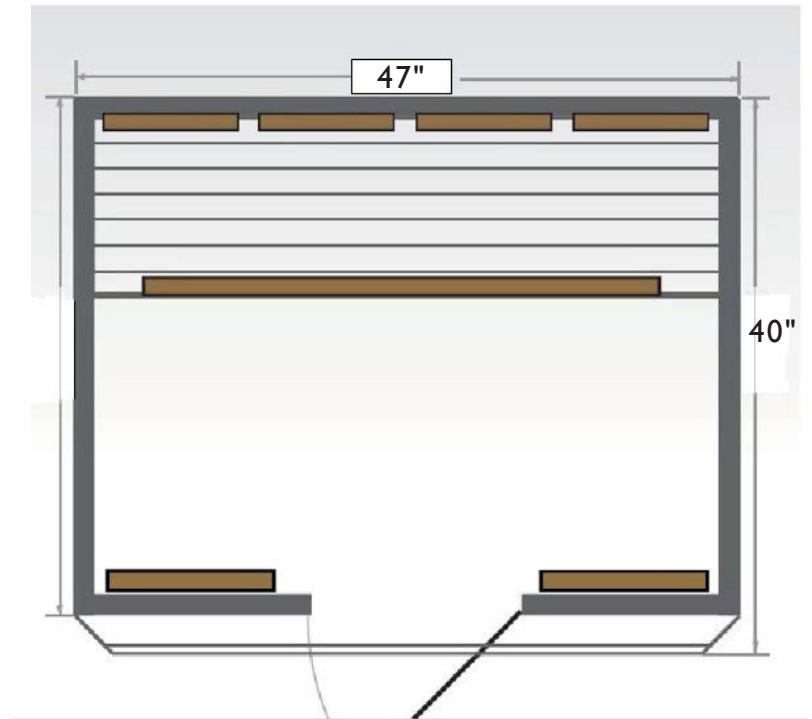
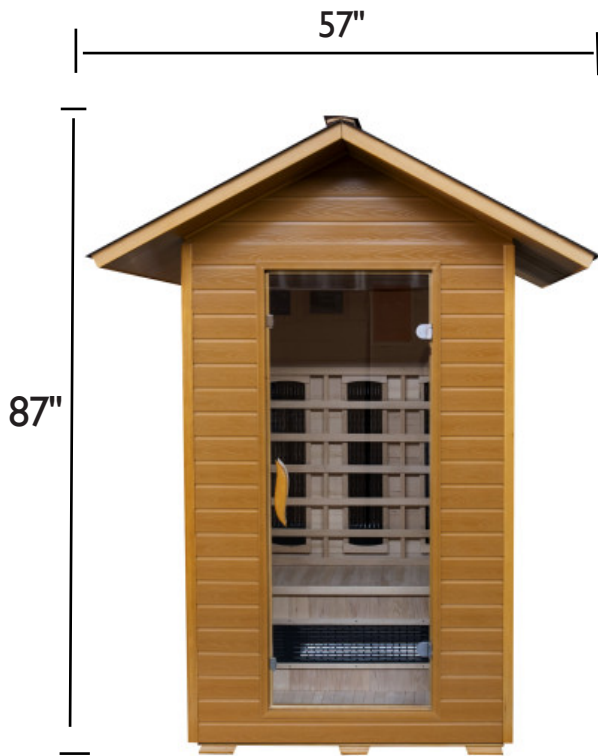
Width: 57"
Depth: 45"

Power Requirements

1900 Watts
120V, 20 Amp

Sunray Saunas

Burlington Infrared Sauna



Exterior Dimensions

SPECIFICATIONS

Construction

Canadian Hemlock Cabin
10mm Tempered Glass
Tongue & Groove Construction
Weight: 301 lbs

Exterior

Width: 47"
Depth: 40"
Height: 87"

Interior

Width: 44"
Depth: 38"
Height: 68"

Rapid Heat

Ceramic Heaters
Ceramic Heaters
Power: 120V, 20AMP Plug.

Warranty Coverage

Structure 7 Years
Electronics 1 Year
Heaters 1 Year